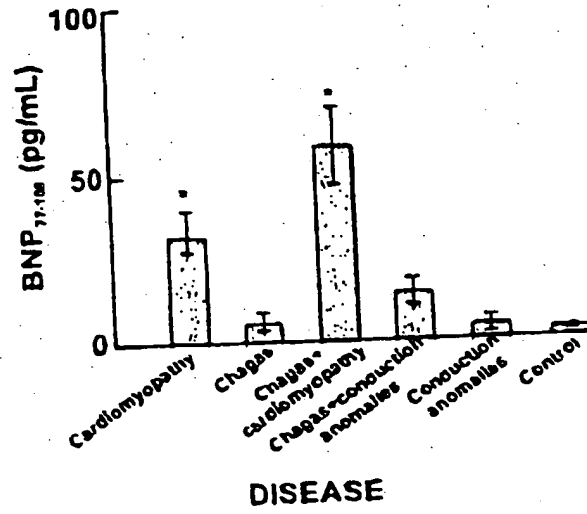


Applicant(s): Adolfo J. de Bold
PREDICTING, DETECTING AND MONITORING TREATMENT
OF CARDIOMYOPATHIES AND MYOCARDITIS



* = $p < 0.05$

Fig. 1

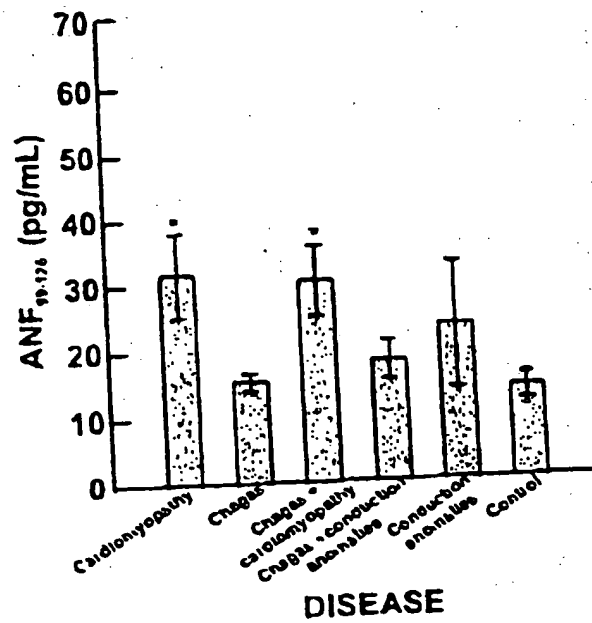


Fig. 2

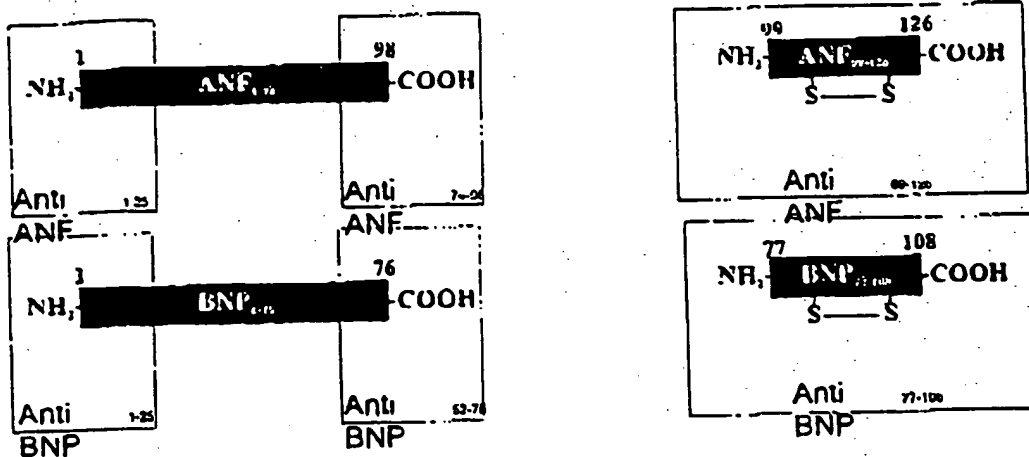


Fig. 3